

Computers need power!



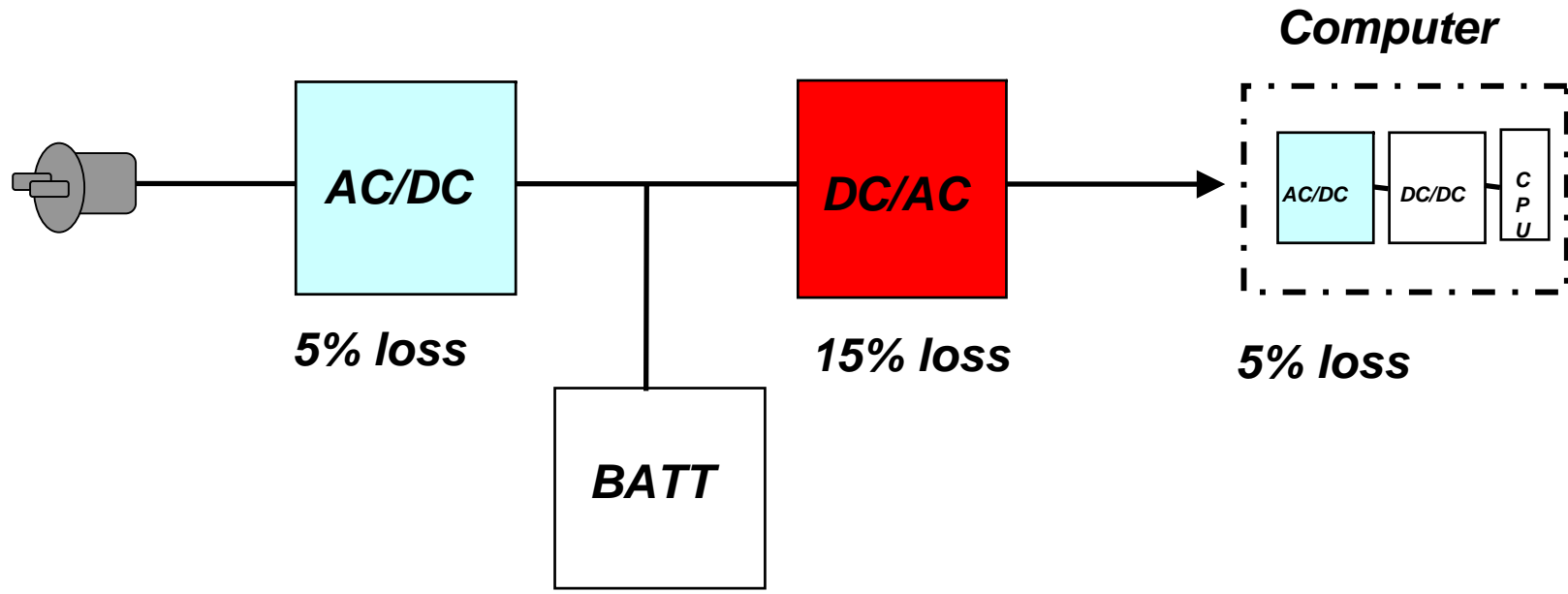
Computers takes the power
from an AC wall outlet!

BUT

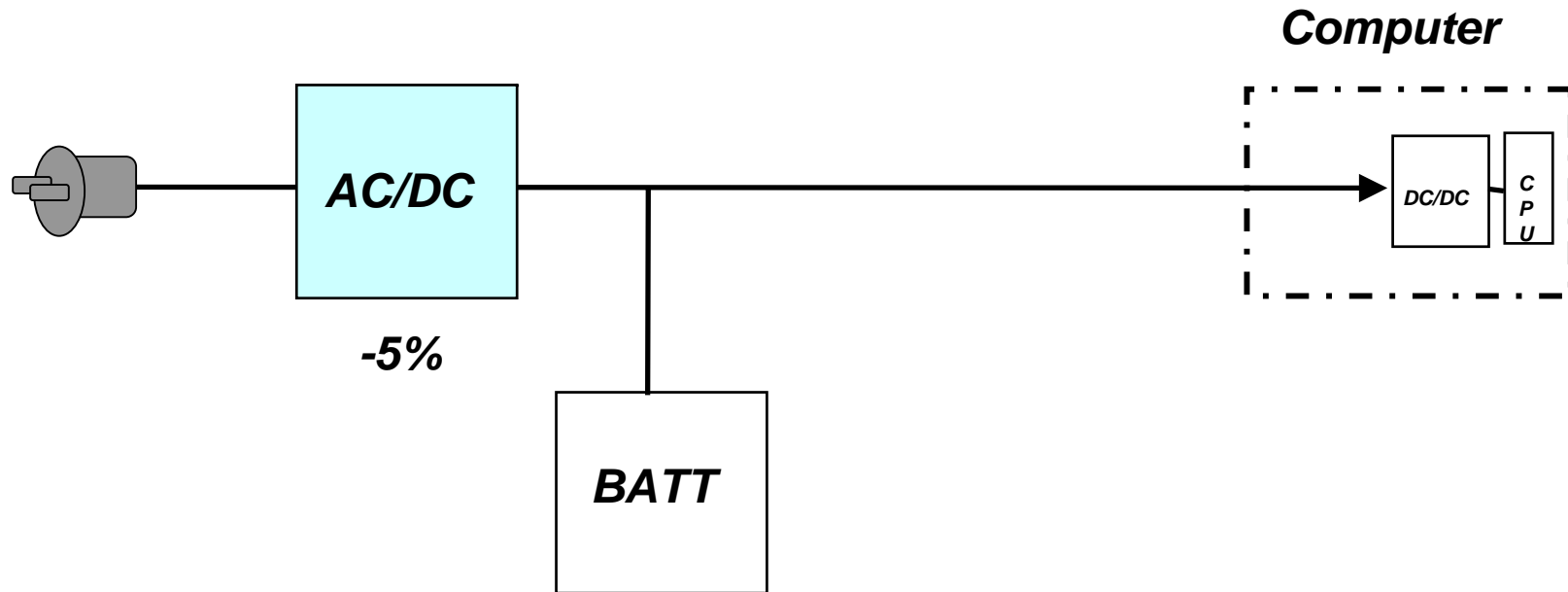
AC power isn't always there!

You need battery backup!

Batteries are part of an UPS.



You don't need the DC/AC!



20% Savings!

Remove it and save power!

What else?

Less electronics involved!

And?

Higher reliability!

What else?

Electronics get hot!
-You need cooling.

Less power = less heat!

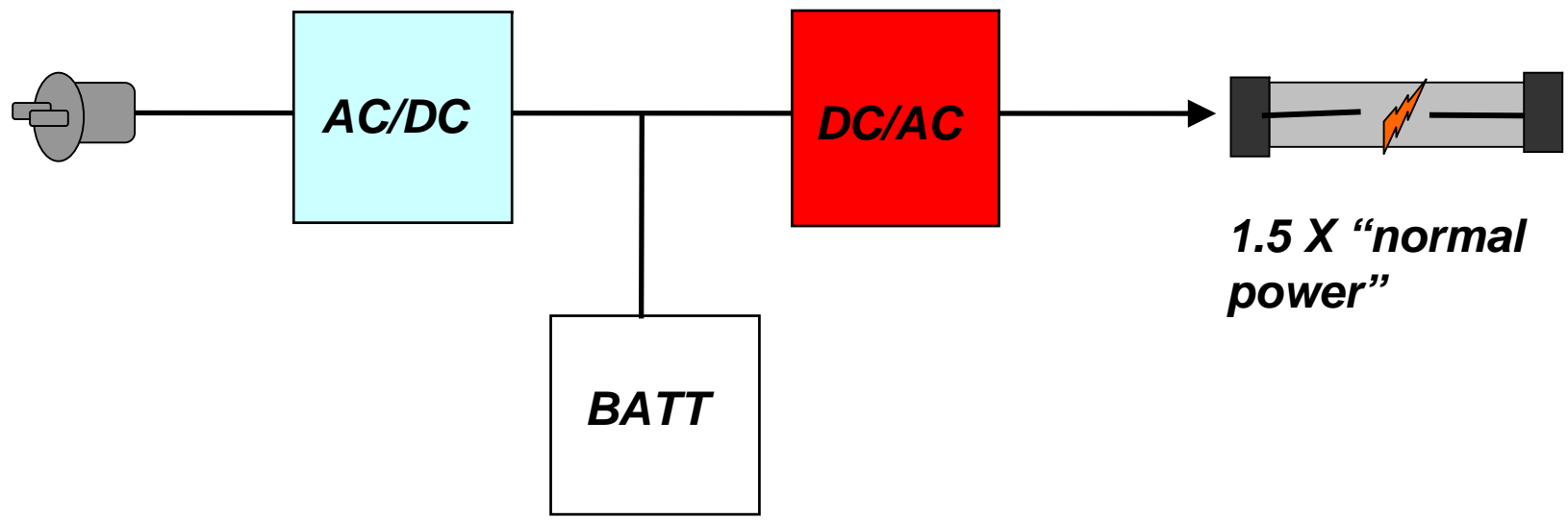
You save on cooling too!

20% savings is now 30% !

What else?

Computers sometimes blow
fuses.

Fuses need a lot of power to
blow.



**DC/AC must be
overdimensioned!**

Overdimensioning
costs money!

No DC/AC
No overdimensioning
=
Lower cost!

DC UPS

-it's a better solution!

Less power
Less electronics
No overdimensioning
=
Lower cost
Higher availability

Netpower have DC UPS's !

They work!

We have installed them!

We want to build some more!

Thank you
for your interest!

